

DSSE

PRODUCT MANUAL



# LUMINA TREATMENT BED TB017

## **A New Standard in Treatment Luxury**

A refined, high-performance treatment bed featuring four precision motors, intelligent memory positioning, and super-soft medical-grade upholstery with plush memory foam. With 210° rotation, integrated controls, and ambient LED base lighting, the Lumina delivers effortless adjustability, exceptional comfort, and modern elegance for premium treatment spaces.

## Introduction

This manual is intended solely as a reference for the operation of this specific model. DSSE assumes no responsibility or liability for any consequences resulting from its use for other purposes. All information contained in this manual is protected by copyright and may not be copied, reproduced, or translated, in whole or in part, without the prior written consent of our company.

### Safety Instructions

- Always disconnect the power supply before changing electrical components or performing maintenance and cleaning on the equipment.
- The plug must be connected to a properly installed and grounded outlet to prevent the risk of fire or electric shock.
- Do not stand on the equipment.
- Keep children away from the equipment; place it out of their reach. Always adjust the backrest to its highest position when leaving the equipment unattended.
- Do not place the equipment in damp or wet areas such as bathrooms to avoid electric shock or malfunction. The remote control should also be kept away from water.
- Avoid using the equipment in environments where painting, coating, or oxygen provision is taking place.
- Unless supervised or instructed by qualified personnel, people with physical disabilities, sensory disorders, mental impairments, lack of experience or common sense, and children are not permitted to use the equipment.
- If the plug is damaged, contact your distributor, service center, or a qualified professional for repair.
- Ensure there are no objects within the equipment's movement range during operation.
- All maintenance must be performed by trained professionals only.

## Precautions

- The equipment should be operated by experienced personnel familiar with its structure, performance, and instructions.
- Read this manual carefully before installation, operation, and adjustment. Keep it for future reference.
- Do not use for single-side or single-point loading.
- Follow safety operation rules. Do not overload. Ensure all safety equipment is reliable and address any hazards immediately.
- Regularly tighten bolts and nuts to avoid failure due to loosening or vibration.
- Do not disassemble parts without proper authorization.
- If faults occur or abnormal noises are heard, stop usage immediately and have the equipment inspected.
- Only resume use after proper troubleshooting.
- This bed uses a power cord and must be plugged into a grounded outlet.
- Observe all warning labels on the product.
- Clean dust and stains using a neutral cleaning agent after each treatment.
- Keep hands, feet, and head clear of moving parts during adjustments.
- Always observe the maximum user weight capacity of the bed.
- Do not sit or apply heavy force on armrests, head or back sections. Refer to the weight limits in this manual.
- Motor operation time: 2 minutes ON, 18 minutes OFF to prevent overheating).
- Clients should enter and exit the bed from the middle section only.

**ELEGANCE,  
PRECISION,  
COMFORT,  
CONTROL**

Experience refined luxury and intelligent performance with the Lumina Treatment Bed, expertly designed for premium aesthetic and medical environments. Upholstered in super-soft medical-grade vinyl with DSSE's advanced plush memory foam, the Lumina delivers exceptional comfort while maintaining the highest standards of durability and hygiene.

Four smooth, silent motors control height, backrest, leg rest, and incline, allowing effortless transitions and precise positioning. Integrated inbuilt controls with memory, RESET, and LOCK functions enhance workflow efficiency, while the 210° rotating base with secure locking offers complete flexibility within any treatment space. Finished with ambient LED base lighting, the Lumina brings contemporary elegance and advanced functionality together in one sophisticated treatment bed.

**Adjustable & Tilttable (Pull-out) Headrest (13cm)**

The pull-out headrest provides adjustable support for enhanced comfort, allowing effortless extension or retraction to suit every client and treatment position. The integrated tilt function further elevates flexibility and precision during use.

**Inbuilt Backrest Buttons**

For easy and quick adjustments.

**Adjustable Backrest (0° - 85°)**

Easily adjustable from 0° to 85°, the backrest allows you to customize the seating angle for optimal comfort and support.

**Height Adjustment (59 - 94 cm)**

Adjustable height for ergonomic comfort and ease of use.

**Rotatable (±110°)**

Smooth rotation up to 110° each way (from centre) for ultimate flexibility and ease.

**Inbuilt Foot Controls**

Built-in foot pedals allow hands-free, effortless operation for enhanced convenience.

**Removable & Swiveling Armrests (0°-180°)**

The armrests swivel smoothly from 0° to 180° and can be removed as required, providing flexible positioning, comfortable support, and easy access during treatments or procedures.

**Inclineable Seat (10°)**

Enjoy personalized comfort with a seat that gently tilts up to 10°.

**Adjustable Legrest (0°-85°)**

Effortless adjustment for maximum comfort and support.

**Pull-Out Footrest**

Easily extends to support legs, enhancing comfort during use.

**Subtle Ambient LED Lighting**

Integrated white LED lighting adds a refined, modern touch to your treatment space.



## Product Specifications

|                             |                                  |
|-----------------------------|----------------------------------|
| Length:                     | <b>185cm</b>                     |
| Width without/with Arms:    | <b>58cm/80cm</b>                 |
| Height Range:               | <b>59-94cm</b>                   |
| Backrest Adjustment Angle:  | <b>Up to 85°</b>                 |
| Seat Tilt Adjustment Angle: | <b>Up to 10°</b>                 |
| Legrest Adjustment Angle:   | <b>Up to 85°</b>                 |
| Net Weight:                 | <b>93 kg</b>                     |
| Gross Weight:               | <b>100 kg</b>                    |
| Max. Load Capacity:         | <b>200 kg (seating position)</b> |
| Power Supply:               | <b>AC 220-240V, 50Hz/60Hz</b>    |
| Max. Power Consumption:     | <b>300W</b>                      |



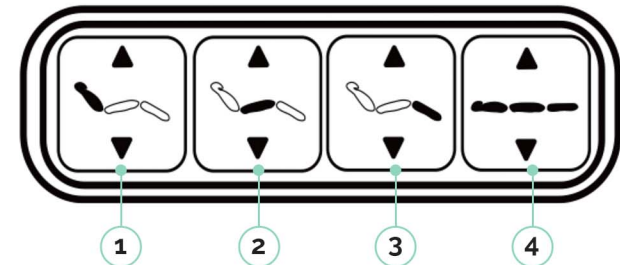
## Effortless Button Operation

The Effortless Button is strategically positioned on both the backrest and the side of the seat cushion to provide convenient and immediate access. By simply pressing these buttons, you can effortlessly adjust the bed's position to suit your preferred working posture.

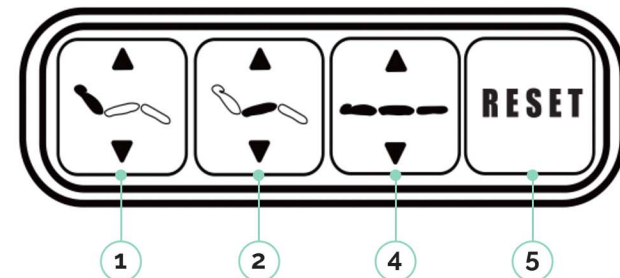
This intuitive control system allows for smooth, precise movements, minimizing physical strain and enabling you to focus fully on your professional treatments. The ergonomic design of the buttons ensures they respond to gentle touches, making adjustments quick and seamless without interrupting your workflow.

Specifically engineered with beauticians in mind, the Effortless Button enhances both comfort and efficiency during prolonged use, supporting better posture and reducing fatigue throughout your workday.

### Cushion Cover Buttons



### Backrest Cover Buttons



# HOW TO USE

Follow these instructions to operate the electric beauty bed safely and effectively. Ensure all users are familiar with the controls and functions before use.



## Backrest Adjustment

Press to raise or lower the backrest



## Incline Adjustment

to tilt the bed into the Trendelenburg position for inclined treatments



## Height Adjustment

Press to raise or lower the bed between 60-98 cm



## Legrest Adjustment

to raise or lower the legrest between 0° and 85°



## Armrest Adjustment

Rotate armrests 180° for full access and flexibility.



## Rotation Adjustment

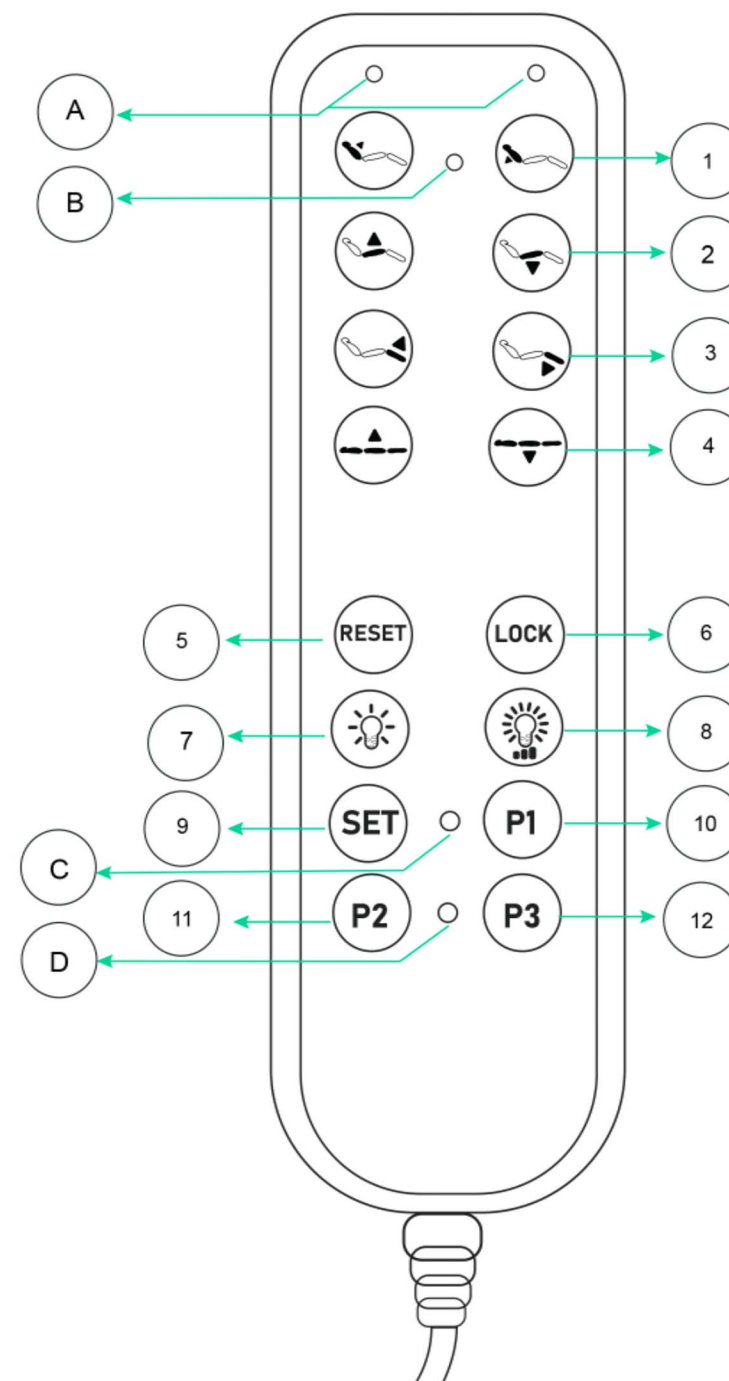
Unlock the handle to rotate the chair 110° left or right from centre. Push it back in to securely lock it in place.



## Hand Remote Operation

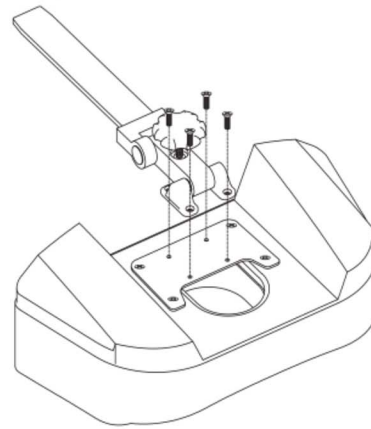
Please Note: All buttons on the device will flash during initial startup, indicating a locked state. Press the LOCK button to unlock. Once unlocked, the flashing will stop and the B light will remain steadily on to confirm the system is active.

- |          |                                 |          |                               |
|----------|---------------------------------|----------|-------------------------------|
| <b>A</b> | Position Indicator Light        | <b>B</b> | Power Indicator Light         |
| <b>C</b> | Memory Function Indicator Light | <b>D</b> | Memory Button Indicator Light |
- 1** Press button to raise or lower the backrest
  - 2** Press button to adjust the incline
  - 3** Press button to raise or lower the legrest
  - 4** Press button to raise or lower the height of the bed
  - 5** Press and hold the button for 3 seconds to reset the chair. The backrest will fully recline, the chair height will lower to its minimum, the seat cushion will tilt to its maximum, and the leg rest will return to its lowest position automatically.
  - 6** Press button to disable all functions. Press it again to unlock and reactivate the controls.
  - 7** Press the button to switch on the ambient lighting. Press again to turn it off.
  - 8** Press the button to adjust the ambient light brightness.
  - 9** Hold the button for 3 seconds to activate the memory function. The Memory Indicator Light **C** will stay on for 3 seconds to confirm recording mode. Press **P1** to save the current position as Memory 1. Other number keys (e.g., P2, P3) work the same way to store additional positions.
  - 10** Hold the button for 3 seconds to automatically move the chair to the saved position 1. Press any other button to stop the movement or to exit.
  - 11** Hold the button for 3 seconds to automatically move the chair to the saved position 2. Press any other button to stop the movement or to exit.
  - 12** Hold the button for 3 seconds to automatically move the chair to the saved position 3. Press any other button to stop the movement or to exit.



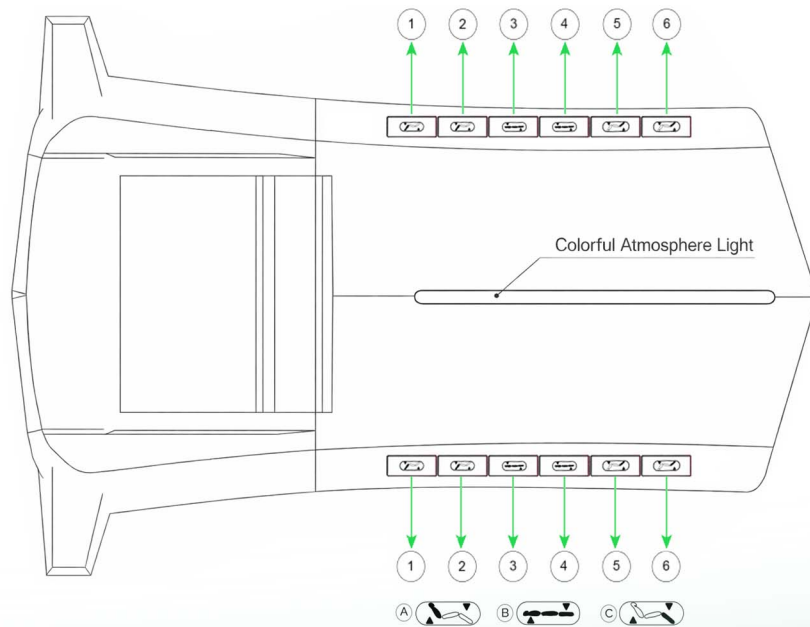
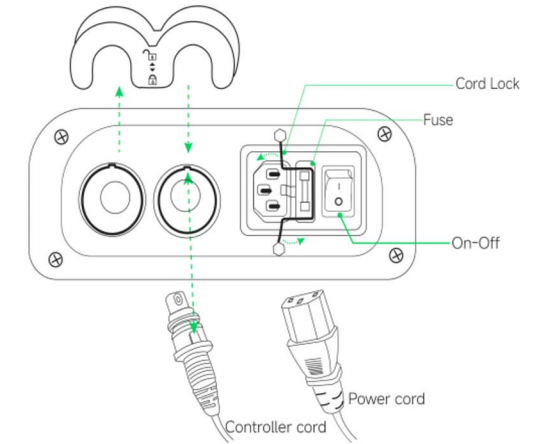
## Headrest Assembly

To assemble the headrest, tighten the 4 screws as shown in the diagram below. All parts and screws are included in the bed packaging.



## Switch Panel Instructions

1. Make sure the power cord and hand controller are connected in the correct direction and securely locked (follow the arrow indicators).
2. Turn on the power switch. The indicator light should stay on steadily.
3. If there is no response, switch off the power, open the fuse box, check the fuse, and replace it if needed.



## Inbuilt Foot Pedals

- A** Step on the foot pedal to adjust the backrest angle. Press **1** to raise the backrest and press **2** to lower it.
- B** Step on the foot pedal to control raising or lowering the height. Press **3** to raise the height or press **4** to lower it.
- C** Step on the foot pedal to control raising or lowering the legrest. Press **5** to raise the height or press **6** to lower it.

## Upholstery Care Guide

As a professional esthetician, investing in a high-quality electric facial bed can significantly enhance the comfort and effectiveness of your treatments. To maintain that level of performance and ensure long-term reliability, regular maintenance and proper care are essential. Like any professional equipment, your facial bed requires routine attention to stay in optimal working condition—ensuring safety, smooth functionality, and a consistently elevated experience for your clients.

### General Care Tips

Maintain a stable temperature:

- Cold can lead to vinyl cracking
- Heat may cause permanent stretching

Keep out of direct sunlight for long periods to prevent fading and damage. Regular housekeeping helps preserve comfort and appearance.



### Cleaning Instructions

Clean frequently to remove body oils that can harden vinyl

Use a colorfast cloth dampened with lukewarm water and mild, alkaline-free soap

Avoid soaking the material

Wipe off any soap with fresh water and a clean cloth

Dry thoroughly with a soft, dry cloth

For tougher grime, gently scrub with a soft brush



## Avoid Using These Products

- Hot or boiling water
- Alcohol or hydrocarbon-based cleaners
- Acetone
- Bleach or harsh detergents
- Furniture polish
- Abrasive powders, pastes, or steel wool
- Silicone or petroleum-based products
- Solvent-based or abrasive cleaning agents

## Routine Inspection

Perform periodic checks on:

- Hinges
- Fasteners
- Structural components

Ensure your chair remains safe, stable, and fully functional.

## CE & RCM Certification

All electric components in our beauty beds are CE (Europe) & RCM (Australia & New Zealand) certified, meeting the strict safety, health, and environmental standards required in Australia, the EU, and the UK.



## WARRANTY PERIOD

STRUCTURE: **5 YEARS** | VINYL: **2 YEARS** | MOTORS: **2 YEARS**

For more information about our warranty, please refer to our website.



Australia:

[www.dsse.com.au](http://www.dsse.com.au)

United Kingdom:

[www.dssebeauty.co.uk](http://www.dssebeauty.co.uk)

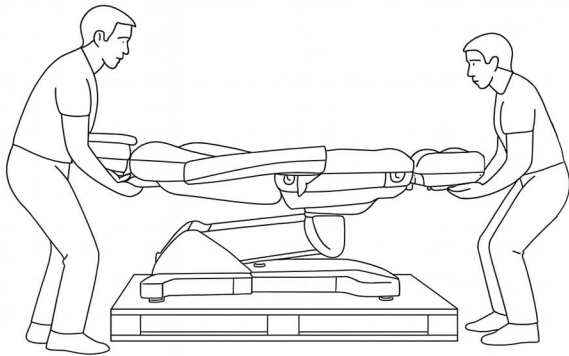
Europe:

[www.dsseworld.com](http://www.dsseworld.com)

**Installation Preparation:** We recommend two (2) people for installation, as both individuals are required to lift and carefully remove the bed from the pallet onto the floor.

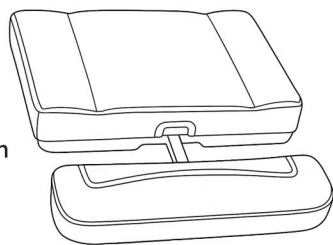
## STEP 1

With the help of another person, carefully lift and remove the bed from the pallet and place it onto a flat, stable surface.



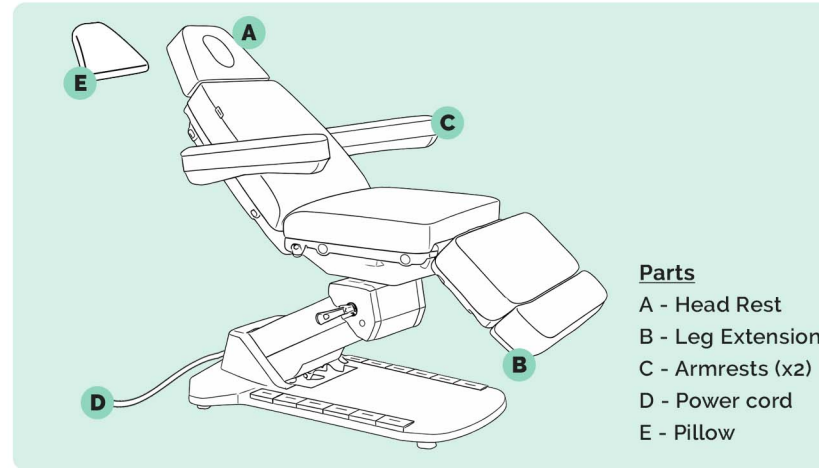
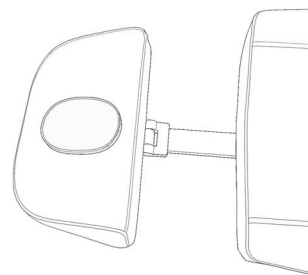
## STEP 2

Remove the leg extension (B) from its packaging, loosen the knob under the legrest, insert the extension, and tighten the knob securely to lock it in place.



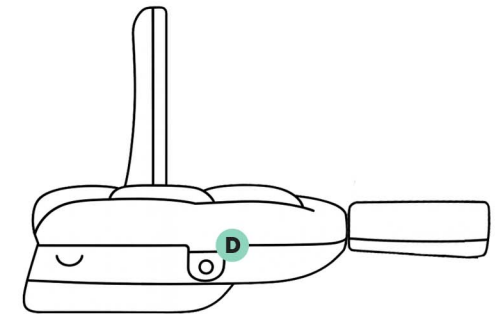
## STEP 3

Remove the head rest (A) from its packaging, loosen the knob under the head rest, insert the head rest, and tighten the knob securely to lock it in place. Then insert the head pillow.



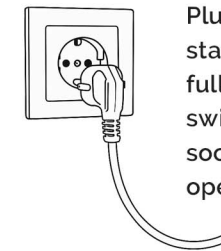
## STEP 4

Insert each armrest (C) by guiding the pole or bolt into the slot (D) on both sides of the chair. Ensure the armrests are facing upwards, as shown in the image below. Push firmly until you feel the armrests lock into place, confirming they are securely installed on each side.



## STEP 5

Plug the power cable into a standard wall socket, ensuring it is fully inserted. Make sure the power switch on the bed and the wall socket are both turned on before operating the bed.



**SAFETY WARNING:** Do not allow children to operate this product. Always ensure that customers enter and exit the bed only from the middle section. Failure to follow these instructions may result in serious injury and damage to the bed.